

ATUM

design
SERGIO BELLIN



THE CLASSY SUPER COMFORT

Atum is the collection of sofas and armchairs thought to obtain utmost comfort with superior class.

THE SHAPES OF COMFORT

Atum profile is designed by geometric lines that give life to a product of large volume, but with balanced proportions.

ULTRACOMFORTABLE AND RESISTANT

Atum features a solid wood structure that ensures resistance. All cushion pads are instead made in high-density and capacity expanded polyurethane, for utmost comfort.

STYLISH DETAILS

Atum features a wide range of valuable upholsteries. The wide back and seat cushions are embellished with stitching with squares or with a matelassé pattern.

LIGHT VOLUMES

The wide Atum seats are supported by four cantilever supports in harmonic steel, chromed and with anti-slide gliders. These features confer optimum elasticity to the structure of Atum sofas and armchairs, minimizing pressure points.

MATERIALS

Structural frame: wood, fully covered by polyurethane foam CFC free

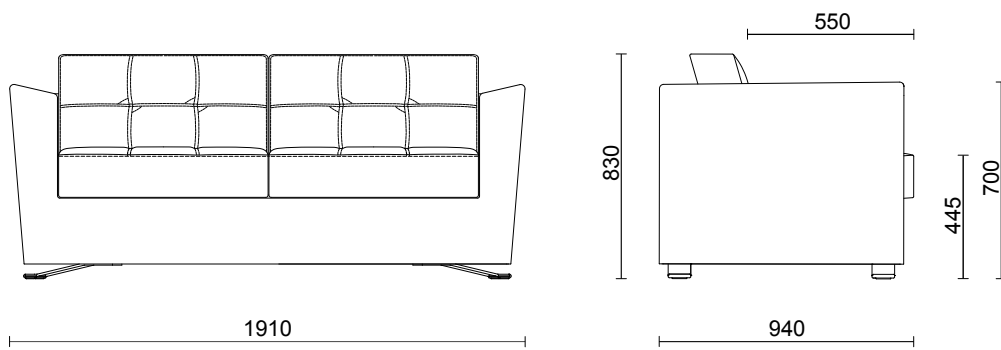
Legs: harmonic steel supports, chromed, with anti-slide gliders

Cushions: cushions pad in expanded polyurethane CFC free, high density for a higher comfort

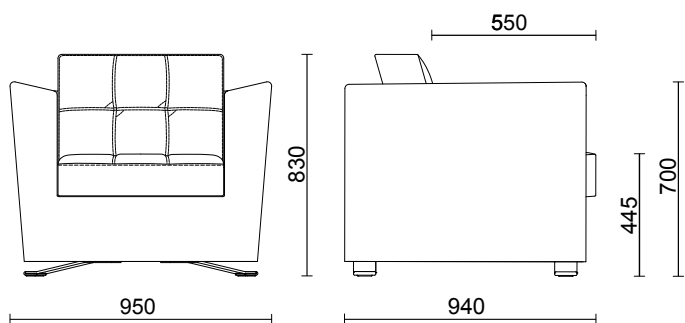
Rivestimenti: leather, ecological-leather, fabric

Versions: with big squares pattern or matelassé pattern

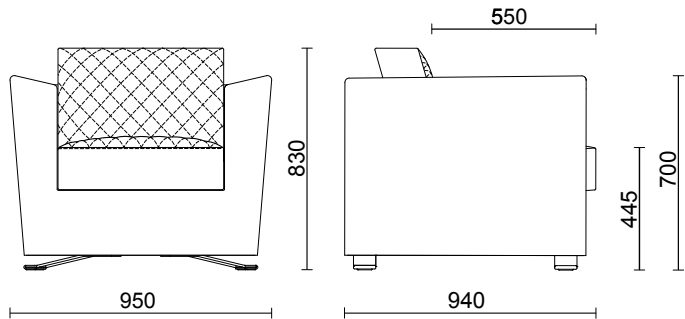
MODELS AND DIMENSIONS



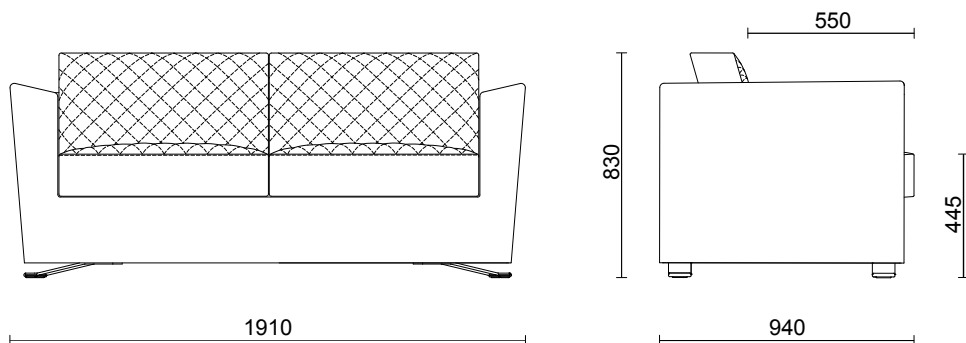
Atum
3 SEAT ER with big squares pattern



Atum
1 SEAT ER with big squares pattern



Atum
1 SEAT ER "matelassé" or matelassé with
white thread in contrast with the black
upholstery



Atum
3 SEAT ER "matelassé" or "matelassé"
with white thread in contrast with the
black upholstery

COLOURS, MATERIALS, FINISHING *

LEGS FINISHING



Chromed steel

ATUM WITH BIG SQUARES PATTERN - UPHOLSTERY



Fabric
FE
21 colours



Leather
MS
12 colours



Leather
TS
18 colours



Leather
S
13 colours



Faux-leather
fabric CI-CX
26 colours



Ecological
leather N
13 colours



Leather
S
13 colours



Ecological
leather N
13 colours

* Please refer to the Price list in force and to the General sale conditions for the colours and the combinations available for every single product. Colours shown are used for reference only and may look different in reality. Please contact SitLand to receive more information.

PCON.PLANNER



It will be possible to configurate our model Atum by using pCon.planner program for the design of 2D an 3D environment.

pCon.planner allows to design working solutions in a fast and intuitive way, creating "realistic" images with advanced features, with a considerable saving of time and resources.

It is easy to start using pCon.planner: after downloading the software in the proper page, it is possible to download pCon.catalog, the practical online catalogue of products ready to be set up according to anyone's need, and then include the products in the projects.

For more information on the use of pCon.planner and the access to the products of the SitLand's catalogues, please contact com@sitland.com

WARRANTY



Atum has 5 years warranty. For any further detail, please contact SitLand's customer service at service@sitland.com

MORE INFORMATION

Please look through our catalogue to see all the different versions available of Atum

http://www.sitland.com/sitland_catalogues/sitland_general_catalogue/sitland_general_catalogue.html#p=314

or see our Atum page into our web site www.sitland.com

SitLand®

SitLand S.p.A.
Via Cà Silvestre, 52
36024 Nanto - Vicenza - Italy
info@sitland.com - www.sitland.com
Tel. +39 0444 637100



SitLand S.p.A. is certified
UNI EN ISO 9001: 2008
UNI EN ISO 14001: 2004

Follow us on:

