

LOUNGE

design
SERGIO BELLIN



TIMELESS DESIGN

Lounge is a collection of sofas and armchairs that stands out for design and essentiality. The simple but not banal shape, renders this product unique.

DISTINCTIVE DESIGN

Lounge collection stands out for its particular design. Lounge back seems to be suspended on the seat, conferring lightness to the structure.

COMFORTABLE AND RESISTANT

Lounge guarantees comfort and durability thanks to the solid structure in high-resistance steel flat tube and elastic belts. The pad in cold injected polyurethane foam, crushproof, of high quality, covers the seat and back structure, ensuring comfort. Wide arms for improved comfort are integrated in the seat structure.

STYLISH DETAILS

Lounge features a wide range of valuable upholsteries. In its classic version, the seat is embellished with a plain square pattern, while in the Diamond version, the handcraft stitching design a diamond pattern on the back and seat, conferring particular elegance and greater softness to the chair.

MATERIALS

Telaio interno: back and seat inner structure made of steel completed with elastic belts, to obtain the best comfort

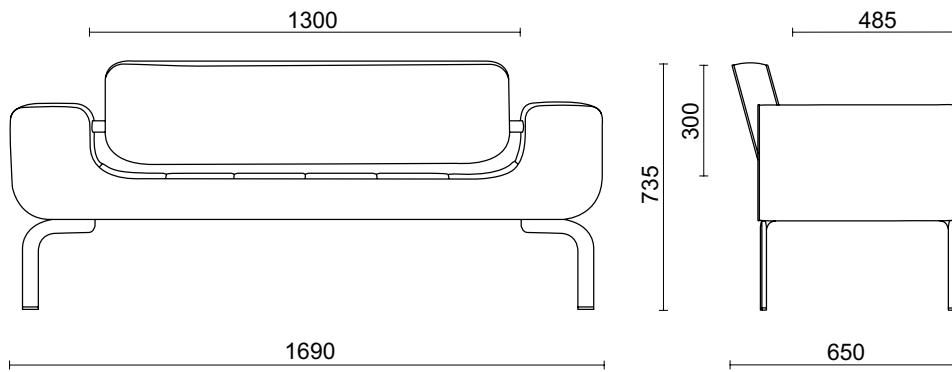
Legs: die-cast aluminium legs, polished

Gliders: anti-slip gliders

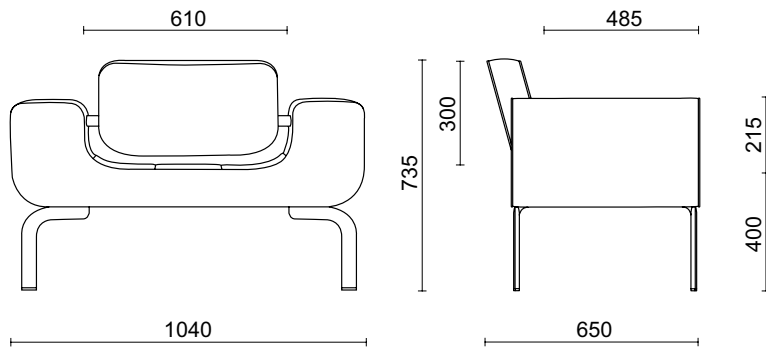
Cushions: cold injected polyurethane flexible foam, crushproof, high quality

Upholsteries: leather, ecological leather, fabric, faux-leather fabric

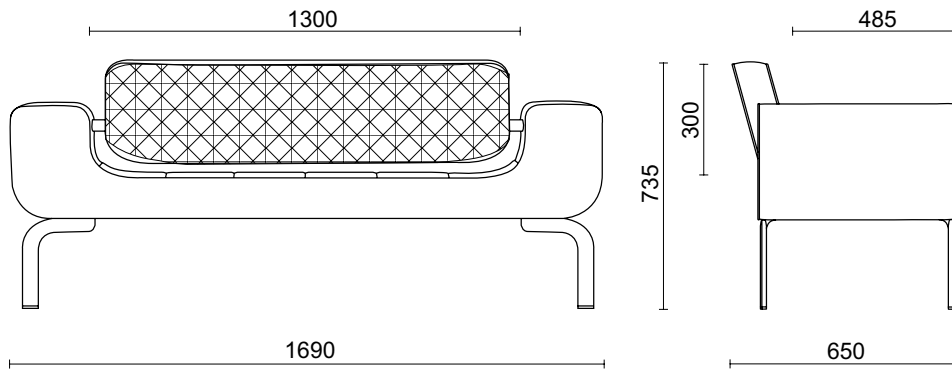
MODELS AND DIMENSIONS



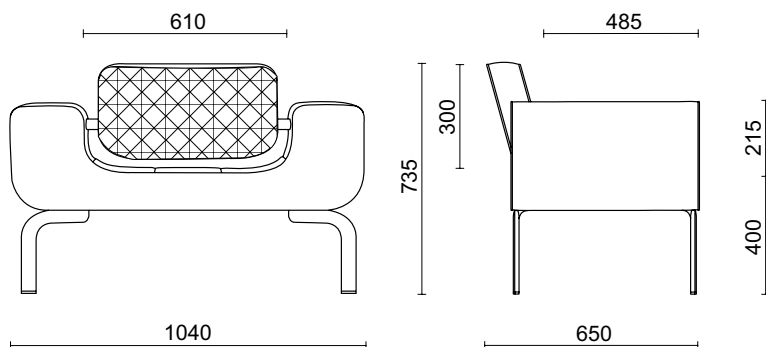
Lounge
3 seater with plain squares on the seat



Lounge
1 seater with plain squares on the seat



Lounge Diamond
3 seater with matelassé pattern on seat and back



Lounge Diamond
1 seater with matelassé pattern on seat and back

COLOURS, MATERIALS AND FINISHING *

LEGS FINISHING



Polished
aluminium

UPHOLSTERIES



Fabric
FE
21 colours



Faux-leather
fabric CI-CX
26 colours



Ecological
leather N
13 colours



Leather
MS
12 colours



Leather
TS
18 colours



Leather
S
13 colours



Ecological
leather
N
13 colours



Leather
S
13 colours

* Please refer to the Price list in force and to the General sale conditions for the colours and the combinations available for every single product. Colours shown are used for reference only and may look different in reality. Please contact SitLand to receive more information.

PCON.PLANNER



It will be possible to configure our model Lounge by using pCon.planner program for the design of 2D an 3D environment.

pCon.planner allows to design working solutions in a fast and intuitive way, creating "realistic" images with advanced features, with a considerable saving of time and resources.

It is easy to start using pCon.planner: after downloading the software in the proper page, it is possible to download pCon.catalog, the practical online catalogue of products ready to be set up according to anyone's need, and then include the products in the projects.

For more information on the use of pCon.planner and the access to the products of the SitLand's catalogues, please contact com@sitland.com

WARRANTY



Lounge has 5 years warranty. For any further detail, please contact SitLand's customer service at service@sitland.com

MORE INFORMATION

Please look through our catalogue to see all the different versions available of Lounge

http://www.sitland.com/sitland_catalogues/sitland_general_catalogue/sitland_general_catalogue.html#p=388

or see our Lounge page into our web site www.sitland.com

SitLand®

SitLand S.p.A.
Via Cà Silvestre, 52
36024 Nanto - Vicenza - Italy
info@sitland.com - www.sitland.com
Tel. +39 0444 637100



SitLand S.p.A. is certified
UNI EN ISO 9001: 2008
UNI EN ISO 14001: 2004

Follow us on

