

# PK

design  
SERGIO BELLIN



SitLand®

# THE SEAT FOR EVERY OCCASION

PK is the collection of chairs designed for new work and public spaces. Simple design and high comfort for a product to use in always different spaces and situations.



## THE SIMPLICITY OF DESIGN

PK stands out for its minimal design that easily adapts to any type of space. The frame in steel tube, with elegant tapered, and arms integrated in the structure, is available in matt black, white light grey painted versions, chromed or painted aluminium for those who desire a classier product.

## BREATHABLE AND COMFORTABLE

In the version with seat and back in mesh, PK ensures high breathability. The ultra-elastic mesh easily adapts to the use, ensuring a high level of comfort. For improved comfort, the pad of PK seat is ergonomic, in flexible polyurethane, crushproof with "Comfort-Air" technology.

## FREEDOM TO SIT

PK's back is ergonomic and tiltable thanks to the springs in harmonic steel. The back fits the user, thus reducing fatigue.

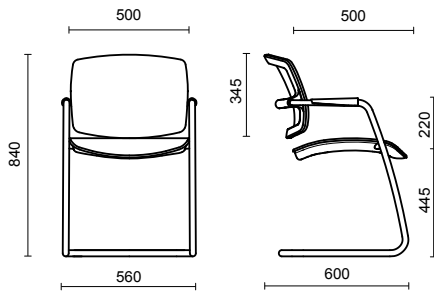
## STACKABLE

PK's guest version on sled-frame is also available in the stackable version to respond to the needs of multi-use spaces, such as meeting rooms or classrooms.

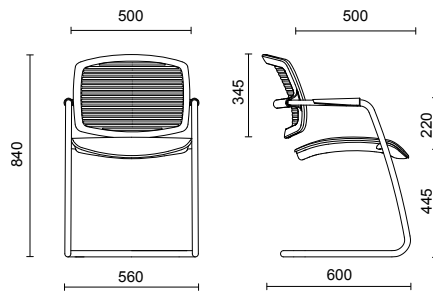
## MANY NEEDS, ONE COLLECTION

PK is available in the guest version on sled-frame and meeting version. Different types of bases and casters offer the possibility to choose the most suitable version for your needs.

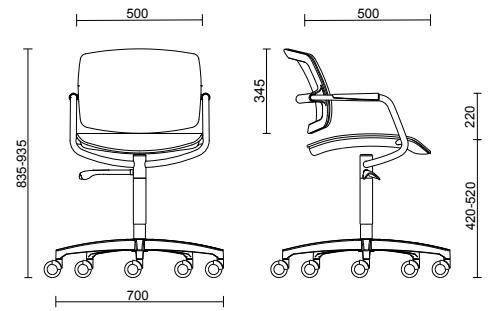
# DIMENSIONS AND MODELS



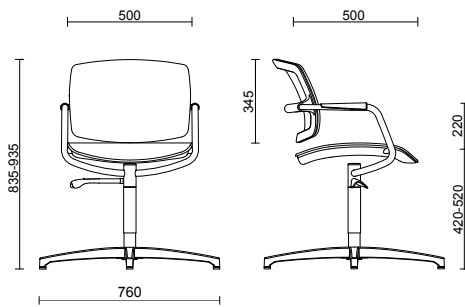
Visitor sled frame with seat and back in mesh



Visitor sled frame with upholstered seat and technical back



Meeting with seat and back in mesh



Meeting with seat and back in mesh

4 legs stackable, upholstered seat, mesh backrest

## BASES



High resistance 5-star base in light grey (Ral 7035) nylon with strengthening steel ring,  $\varnothing$  700 mm.



High resistance 5-star base in black nylon with strengthening steel ring,  $\varnothing$  700 mm.



5-star die-cast aluminium base, polished,  $\varnothing$  700 mm.



4 star die-cast aluminium base, 720 mm, polished,  $\varnothing$  760 mm.

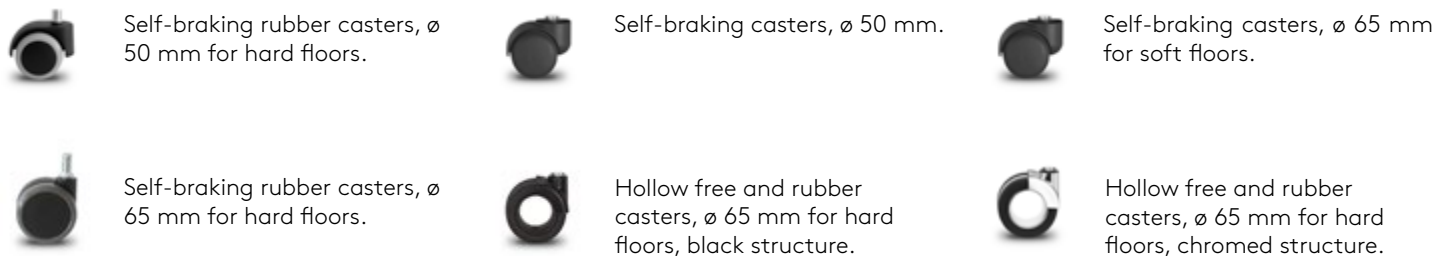


4 star die-cast aluminium base, polished,  $\varnothing$  720 mm.



4 star die-cast aluminium base, black painted,  $\varnothing$  720 mm.

# CASTERS



# COLOURS, MATERIALS, FINISHING \*

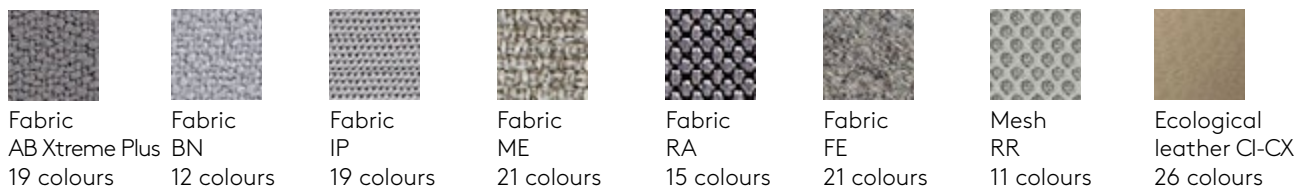
## FINISHING



## PLASTIC FINISHING



## PK SEAT UPHOLSTERY WITH MESH BACK UPHOLSTERY



## PK SEAT UPHOLSTERY WITH TECHNICAL BACK UPHOLSTERY



## TECHNICAL BACK UPHOLSTERY



## MESH BACK UPHOLSTERY



\* Please refer to the Price list in force and to the General sale conditions for the colours and the combinations available for every single product. Colours shown are used for reference only and may look different in reality. Please contact SitLand to receive more information.

## PCON.PLANNER



It is possible to configure our model PK by using pCon.planner program for the design of 2D an 3D environment.

pCon.planner allows to design working solutions in a fast and intuitive way, creating "realistic" images with advanced features, with a considerable saving of time and resources.

It is easy to start using pCon.planner: after downloading the software in the proper page, it is possible to download pCon.catalog, the practical online catalogue of products ready to be set up according to anyone's need, and then include the products in the projects.

For more information on the use of pCon.planner and the access to the products of the SitLand's catalogues, please contact [com@sitland.com](mailto:com@sitland.com)

## WARRANTY



PK has 5 years warranty.  
For any further detail, please contact SitLand's customer service at [service@sitland.com](mailto:service@sitland.com)

## GREENGUARD CERTIFICATION



PK has achieved GREENGUARD Certification.

GREENGUARD e GREENGUARD Gold are products' certifications released after accurate laboratory tests which assure a low level of chemical emissions of the GREENGUARD tested products in the inner environments. As a matter of fact, in the inner environments, the air is 2 - 5 times more polluted than on the outside and the pollutants comes from products and materials that we use every day. Therefore, the quality of air in the inner spaces is an important issue when people pass the most part of their time in inner environments.

The products certified GREENGUARD ensure a low level of chemical emissions, therefore a better quality of air in those places where they are used. Those chairs which obtained the GREENGUARD Gold certification grant the total absence of chemical emissions, then they are the safest choice for public spaces like schools and healthcare setting. The products certified GREENGUARD contribute to create Leed buildings.

For more information on GREENGUARD, visit the official web site [ul.com/gg](http://ul.com/gg).

## MORE INFORMATION

Please look through our catalogue to see all the different versions available of PK

[http://www.sitland.com/sitland\\_catalogues/sitland\\_general\\_catalogue/sitland\\_general\\_catalogue.html#p=192](http://www.sitland.com/sitland_catalogues/sitland_general_catalogue/sitland_general_catalogue.html#p=192)

or see our PK page into our web site [www.sitland.com](http://www.sitland.com)

# SitLand®

SitLand S.p.A.  
Via Cà Silvestre, 52  
36024 Nanto - Vicenza - Italy  
info@sitland.com - www.sitland.com  
Tel. +39 0444 637100



SitLand S.p.A. is certified  
UNI EN ISO 9001: 2008  
UNI EN ISO 14001: 2004

Follow us on:

