

CK-05 Orderpicker

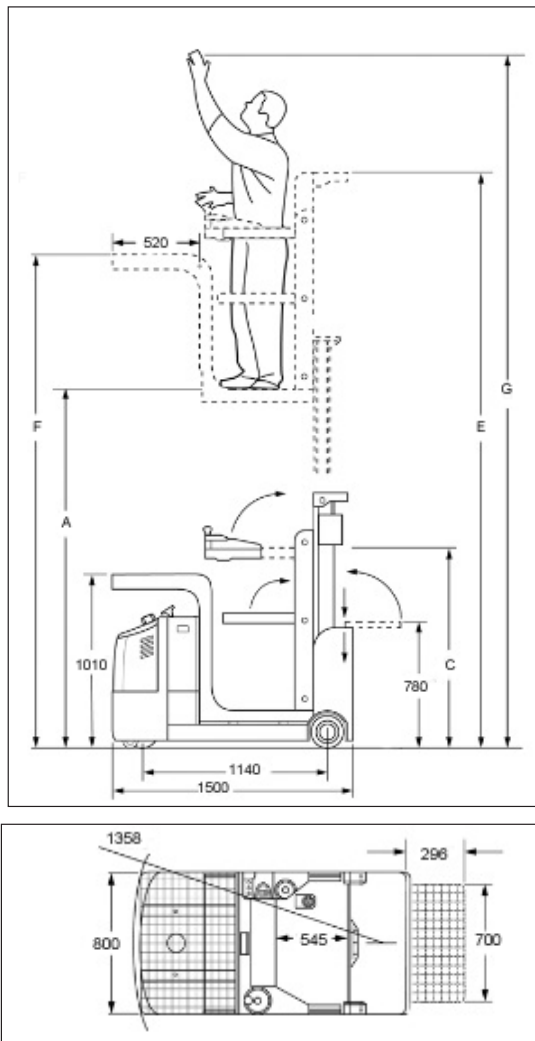
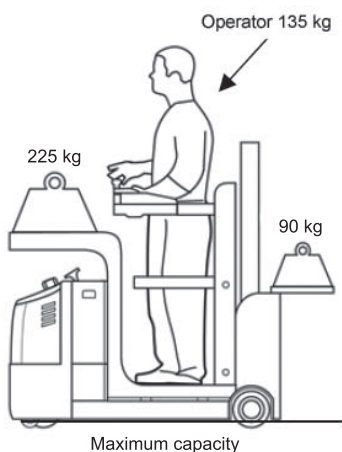
- **WORKING HEIGHT UP TO 5 M**
- **COMPACT & EASY TO NAVIGATE**
- **1358 MM TURNING RADIUS**
- **AC DRIVE CONTROL**

Silverstone CK-05 solves many of the high altitude problems and tasks that you may face when working in industry, warehouse and retail shops. Order picking up to 5 m is no problem. CK-05 is simple and easy to maneuver thanks to the electric steering and well-designed controls. CK-05 only needs 1,8 meter wide aisle to make a U-turn.

Maintenance work on high levels often means bulky and wobbly ladders in action and yet stability and space is limited. With Silverstone CK-05 you drive around smoothly and easily with space for both materials and tools on board. Do you need to move around the properties while towing one or many carts? No problem, CK-05 solves this task with elegance and safe. CK-05 is equipped with non-marking polyurethane wheels.

Perfect for

- Retail trade
- Warehouses



Technical info		
Version		Rider stand
Capacity	kg	450
Weight incl. battery	kg	1040
Tyre type		PU/PU
Max lifting height, working platform	F (mm)	4000
Height	C (mm)	1950
Total length	mm	1500
Total width	mm	825
Load tray size, front	mm	520/800
Load tray size, rear (foldable)	mm	296/700
Height load tray, rear	mm	780
Height working platform, rear	E (mm)	3580
Operators lower standing height	A (mm)	3180
Max. working height	G (mm)	ca 5000
Operator compartment size	mm	545/800
Turning radius	mm	1358
Travel speed	km/ h	5,5
Max gradeability, with load/ without load	%	6/15
Brakes		Electromagnetic
Battery	V/Ah	24/224
Battery type		Maintenance free
Steering system		ZAPI
Drive control		AC



SILVERSTONE

MATERIAL HANDLING



Manual Stackers
Electric Stackers
Order Pickers



Work Shop Cranes
Crane and
Fork Equipment
Drum Handling



Static Lift Tables
Mobile Lift Tables



Hand Pallet Trucks
Powered Pallet Trucks
High Lifting Pallet Trucks
Light Weight Lifters



Sack Trucks
Platform Trolleys



Furniture Handlers
Universal Shelving
Steel Cabinets



Dollies
Hydraulic Lift Jacks
Machine Skates